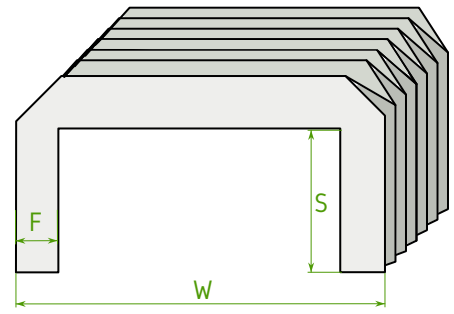


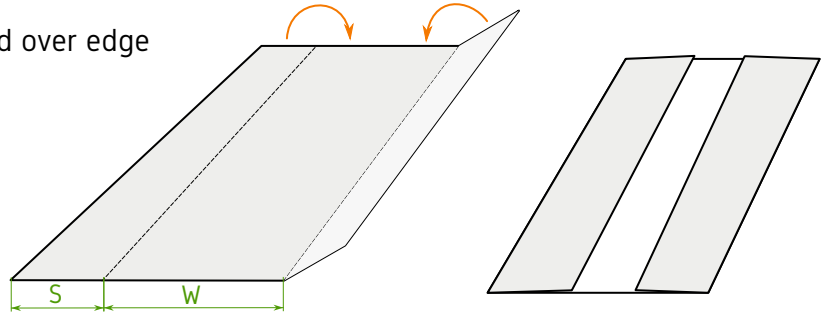
# Folding instructions for bellows shaped dust cover

Petteri Aimonen 2022, <https://essentialscrap.com/>

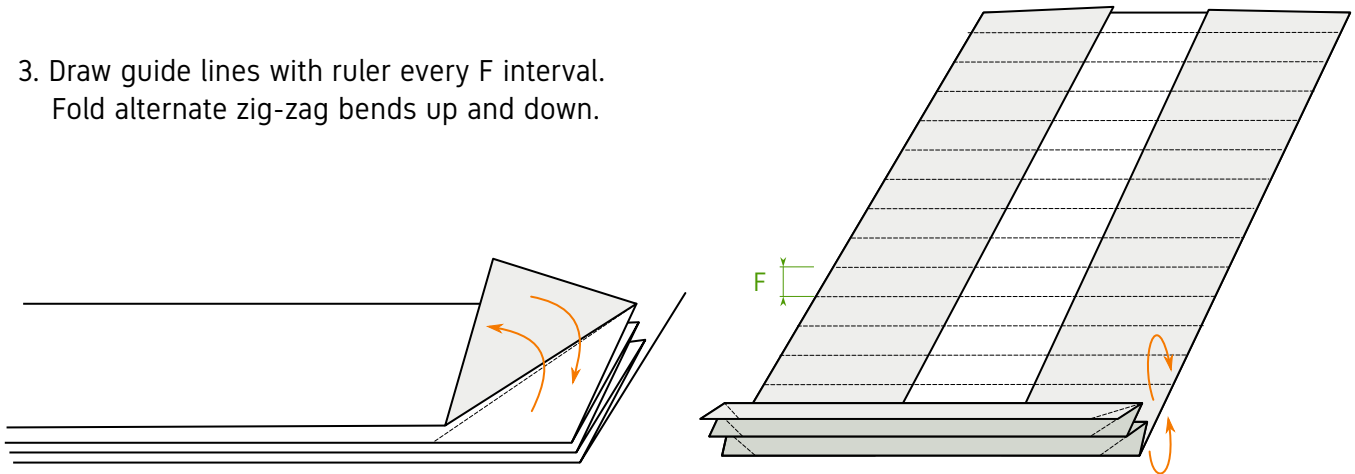
1. Choose outer width  $W$ , inner height  $S$  and fold size  $F$  for the finished dust cover.



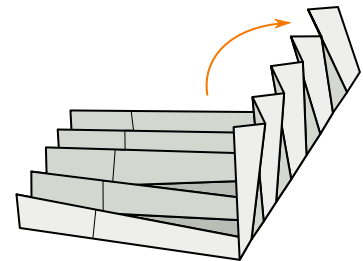
2. Cut paper to width  $W + 2 \times S$  and fold over edge flaps of width  $S$ .



3. Draw guide lines with ruler every  $F$  interval. Fold alternate zig-zag bends up and down.

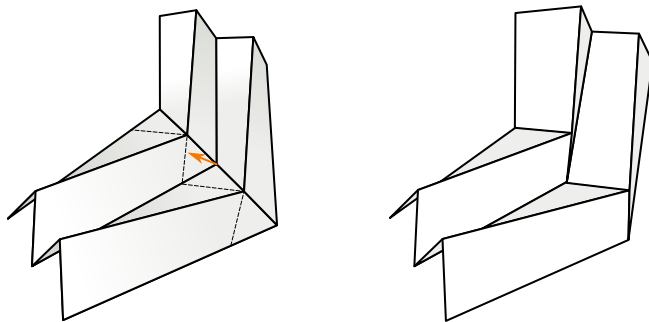


4. At the two corners of each bend, make a crease at a 45 degree angle by folding the corner over and back. The 45 degree crease should be made on the side opposite to fold made in step 2.



5. After finishing the zig-zag, open the fold made in step 2 on one side.

6. At each zig-zag bend, push out the diagonal crease at the corner.



7. After finishing all corners on one side, flatten the bellows and press firmly at the corner to make the folds stay in place.

8. Repeat from step 5 for the other side.

